

RT-MINI

Self-flashing base for asphalt & metal roof-top PV mounting systems

RT-MINI is suitable for mounting any rail system with a conventional L-Foot.



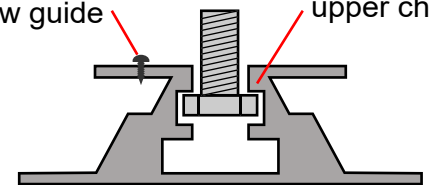
Dual bolt design: M8 or 5/16" for L-Foot & 1/4" for EMC



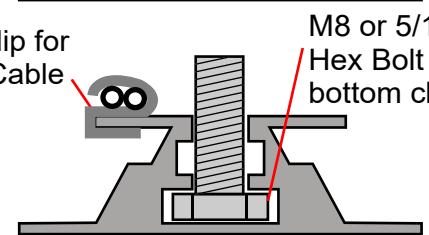
ICC ESR 3575

Call Now for more details
858-935-6064

Easy tapping screw guide
1/4" Hex Bolt upper channel



Flat lip for PV Cable clips
M8 or 5/16" Hex Bolt bottom channel



Roof Tech

Smarter PV mounting solutions from top of roof to bottom line®
www.roof-tech.us info@roof-tech.us

RT-MINI

Flexible Flashing certified by the International Code Council (ICC)

Engineered to ASTM D 1761 (Standard Test Methods for Mechanical Fasteners in Wood)

Components

RT2-00-MINIBK

PAT : PENDING



MINI base : 20 ea.

Screw : 40 ea.

Extra RT-Butyl : 10 ea.

Optional item

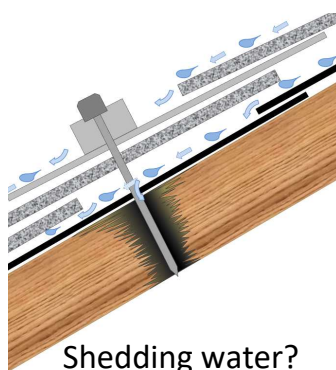
5 x 60mm Mounting screw (RT2-04-SD5-60) : 100 ea./Bag

5/16" Hex bolt, washer & nut set (RT-04-BN30SL-US) : 100 ea./Bag

RT-Butyl (RT2-04-BUTYLT) : 10 ea./Box

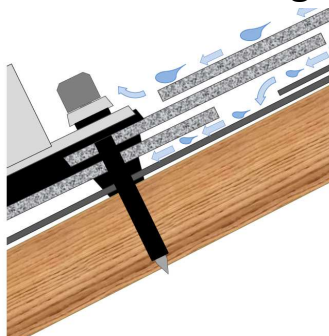
RT-Butyl is Roof Tech's flexible flashing used in 700,000 residential PV systems for the last 24 years. It is the first PV mounting system with Flexible Flashing certified by the ICC.

Metal Flashing Retrofit



Shedding water?

Flexible Flashing



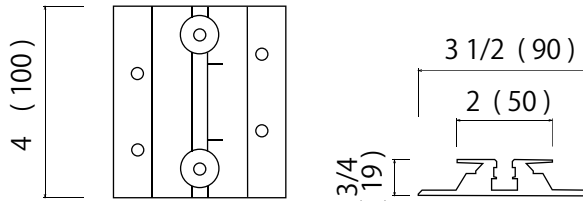
100% Waterproof

ICC ESR-3575

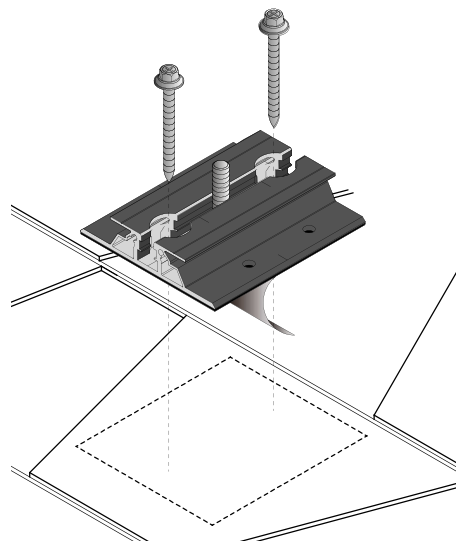
ASTM2140 testing UV testing (7500 hrs.)



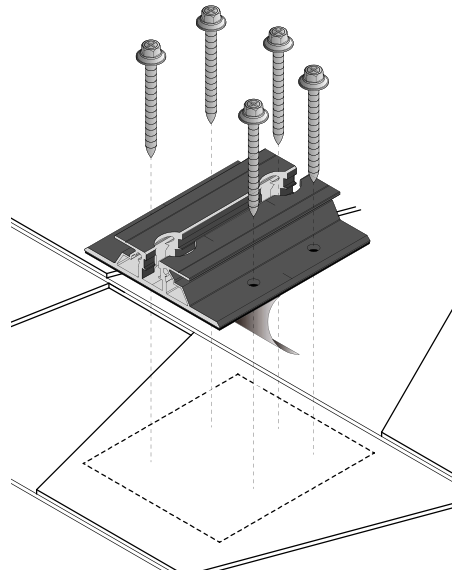
Dimensions in (mm)



Rafter installation



Deck installation



P.E. Stamped Letters available at www.roof-tech.us/support

Roof Tech Inc.

www.roof-tech.us

info@roof-tech.us

10620 Trenea Street, Suite 230, San Diego, CA 92131

858.935.6064



Rev. 03-2020